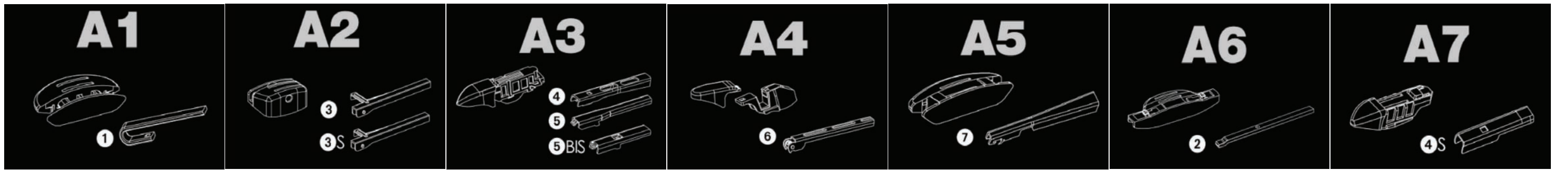


# THERMALBLADE TECHNICAL SPECIFICATION - VISUAL



A1 J-Hook Arm

A2 Slide Pin Arm

A3 I&L Pinch Tab Arm

A4 Point Lock Arm

A5 Rock Lock Arm

A6 Boyonnette Arm

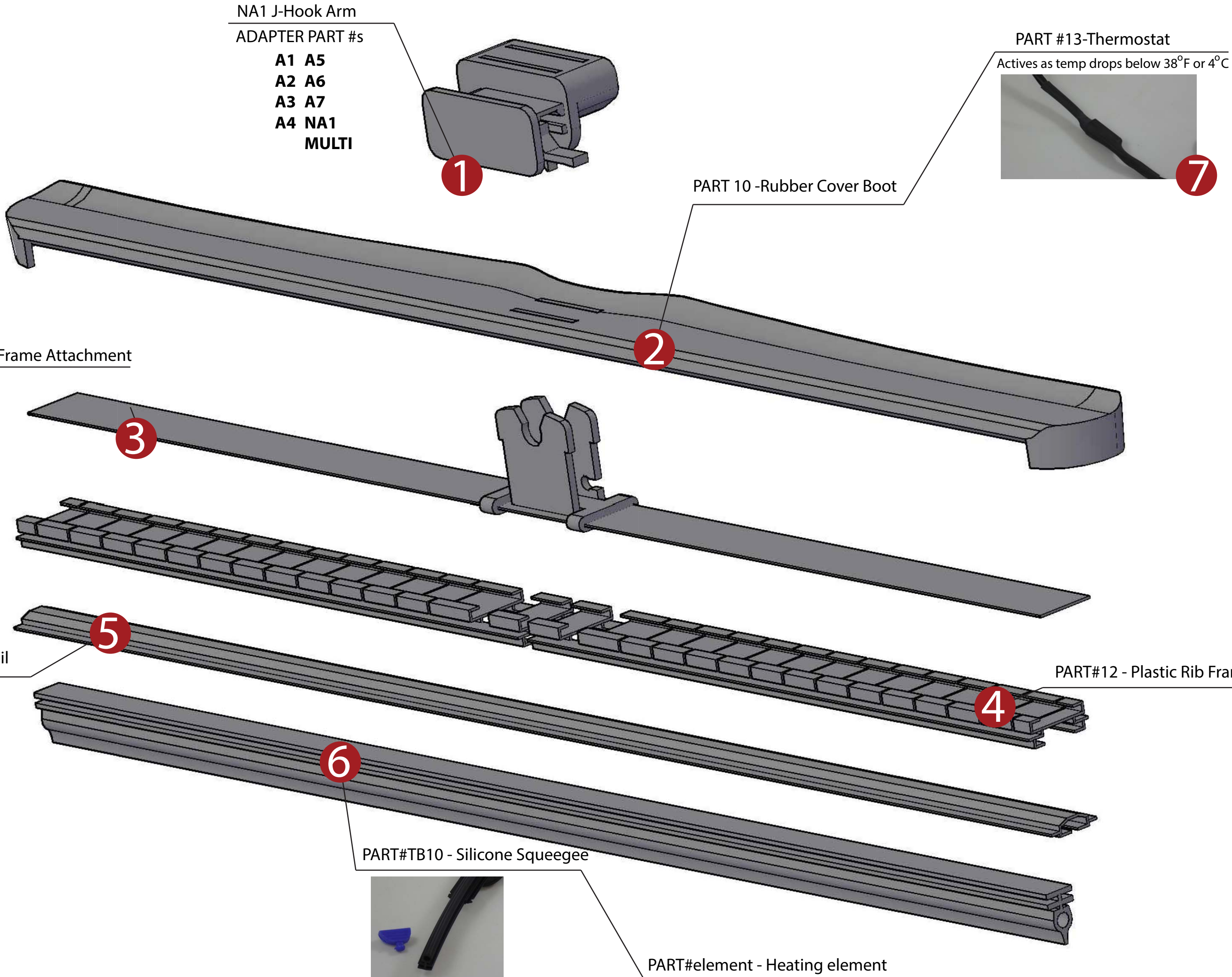
A7 Pinch Tab Button Arm

NA1 J-Hook Arm  
ADAPTER PART #s

- A1 A5
- A2 A6
- A3 A7
- A4 NA1
- MULTI

PART #13-Thermostat

Activates as temp drops below 38°F or 4°C



- PART #s
- TB12 TB19
  - TB13 TB20
  - TB14 TB21
  - TB15 TB22
  - TB16 TB24
  - TB17 TB26
  - TB18 TB28

